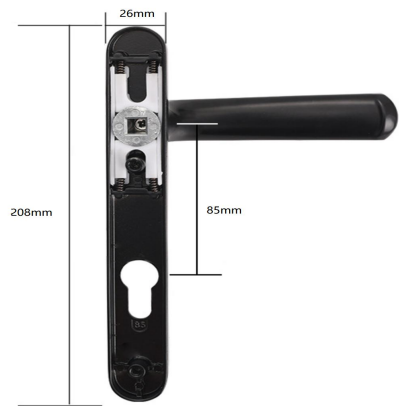
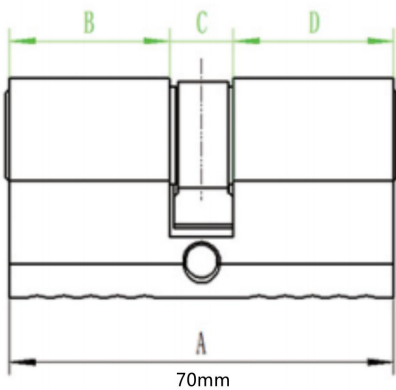
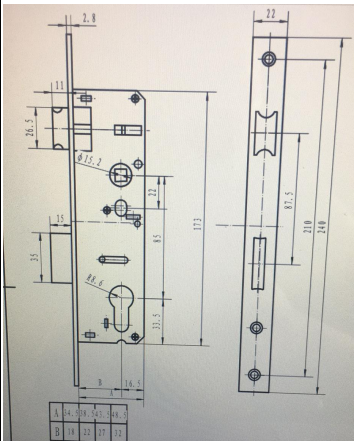
			Citywide&Macedon Fencing Group Email: info@macedonfencing.com.au Tel/Fax: 1300 101 202/(03) 9408 4111 Website: https://macedonfencing.com.au/		
Material	Drawing Item.	Size			
-	Lock System	---			



Lock body
 Face plate:SS304
 Latch and deadbolt: zinc
 backset:35mm
 lock case: paint black

Lock cylinder
 length:70mm
 material:brass body and brass core
 key: 3brass keys
 finishing: nickel plated
 open: double open

Handle
 material: aluminum handle finishing:
 paint black